

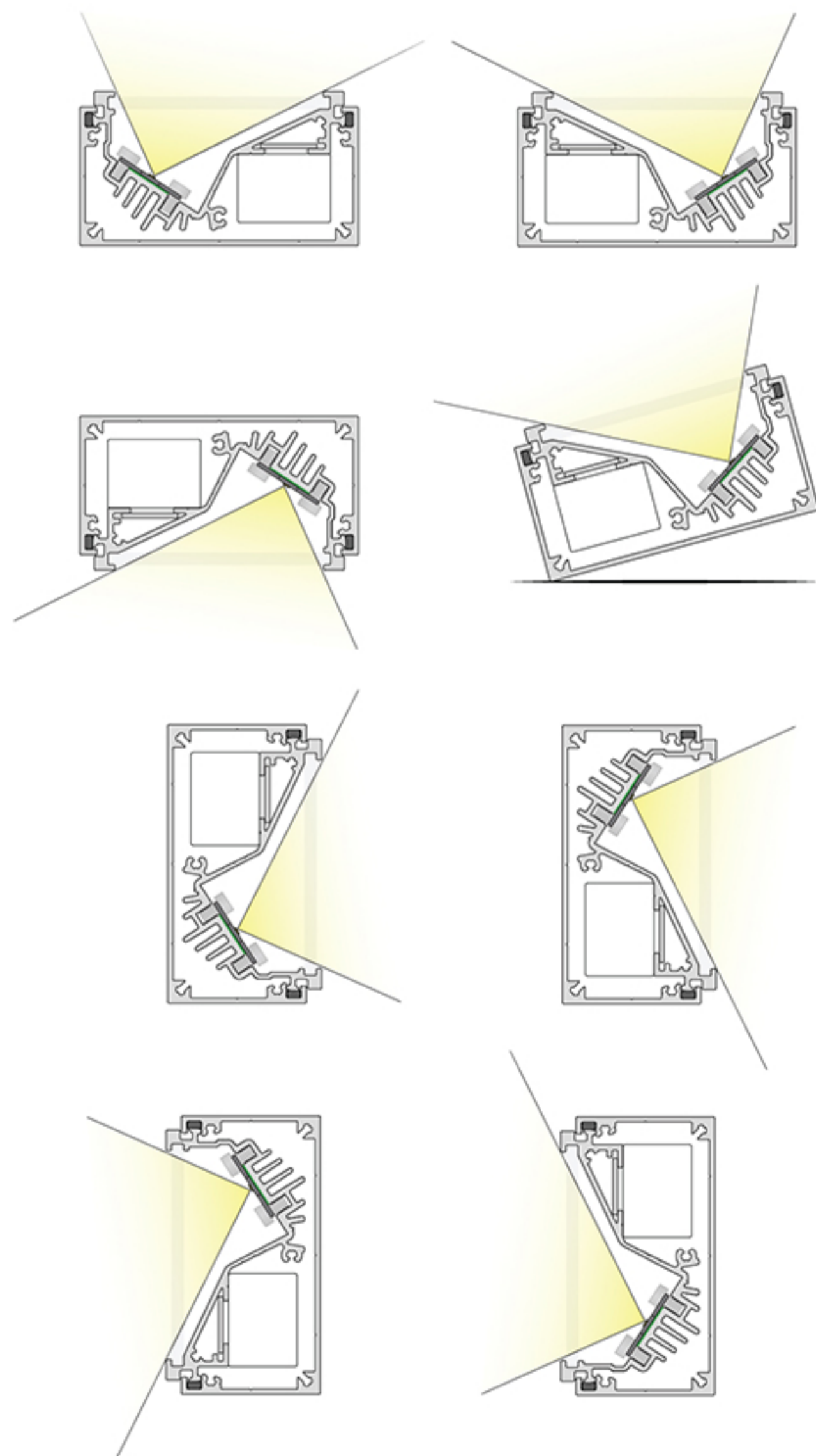
# LIGHTperMETER tailored solutions

## VERSATILITY

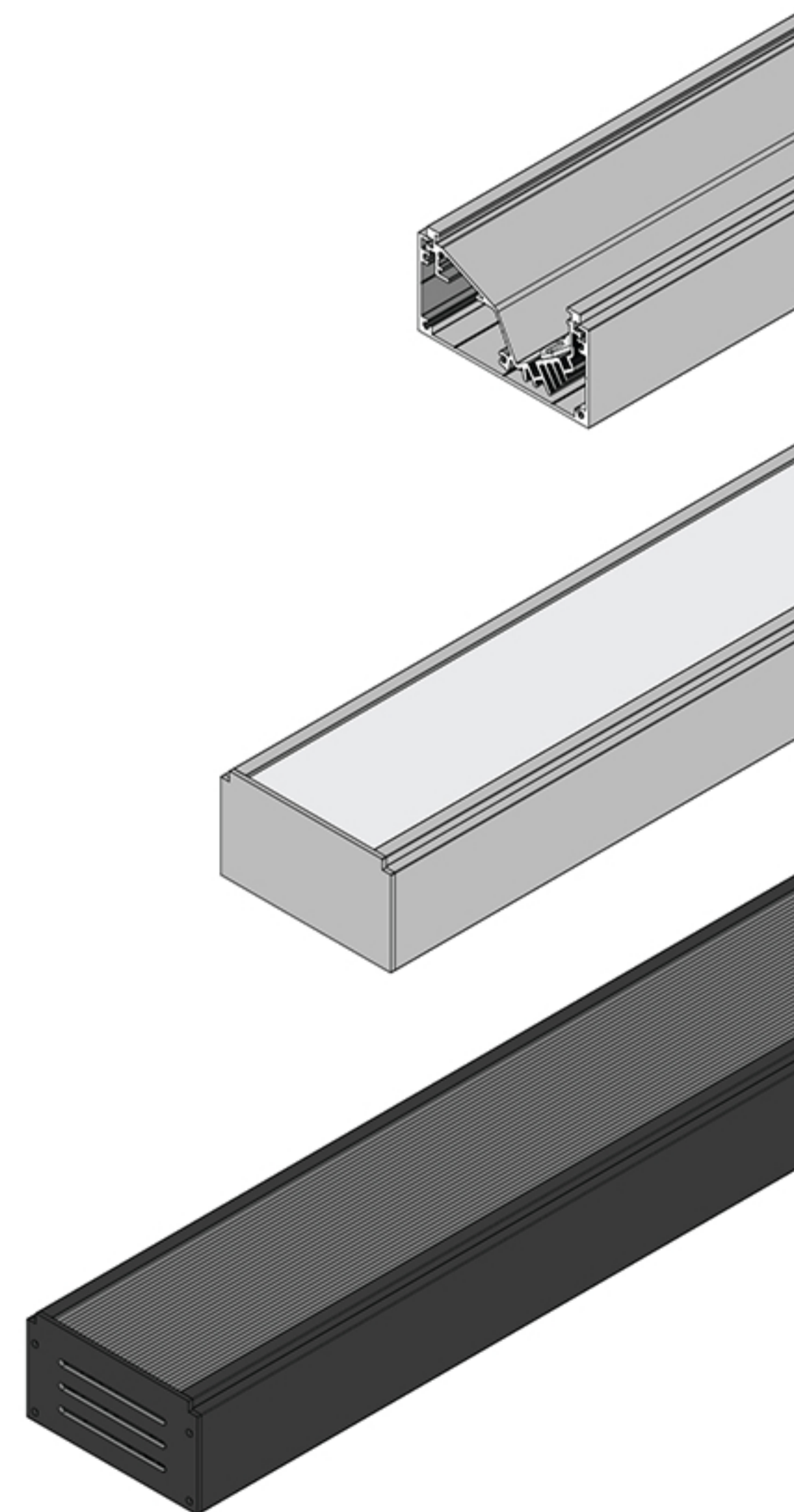
LEDperMETER is designed to seamlessly support long runs.

You can modify the standard product by specifying custom finishes and developing custom luminaires initiating the project.

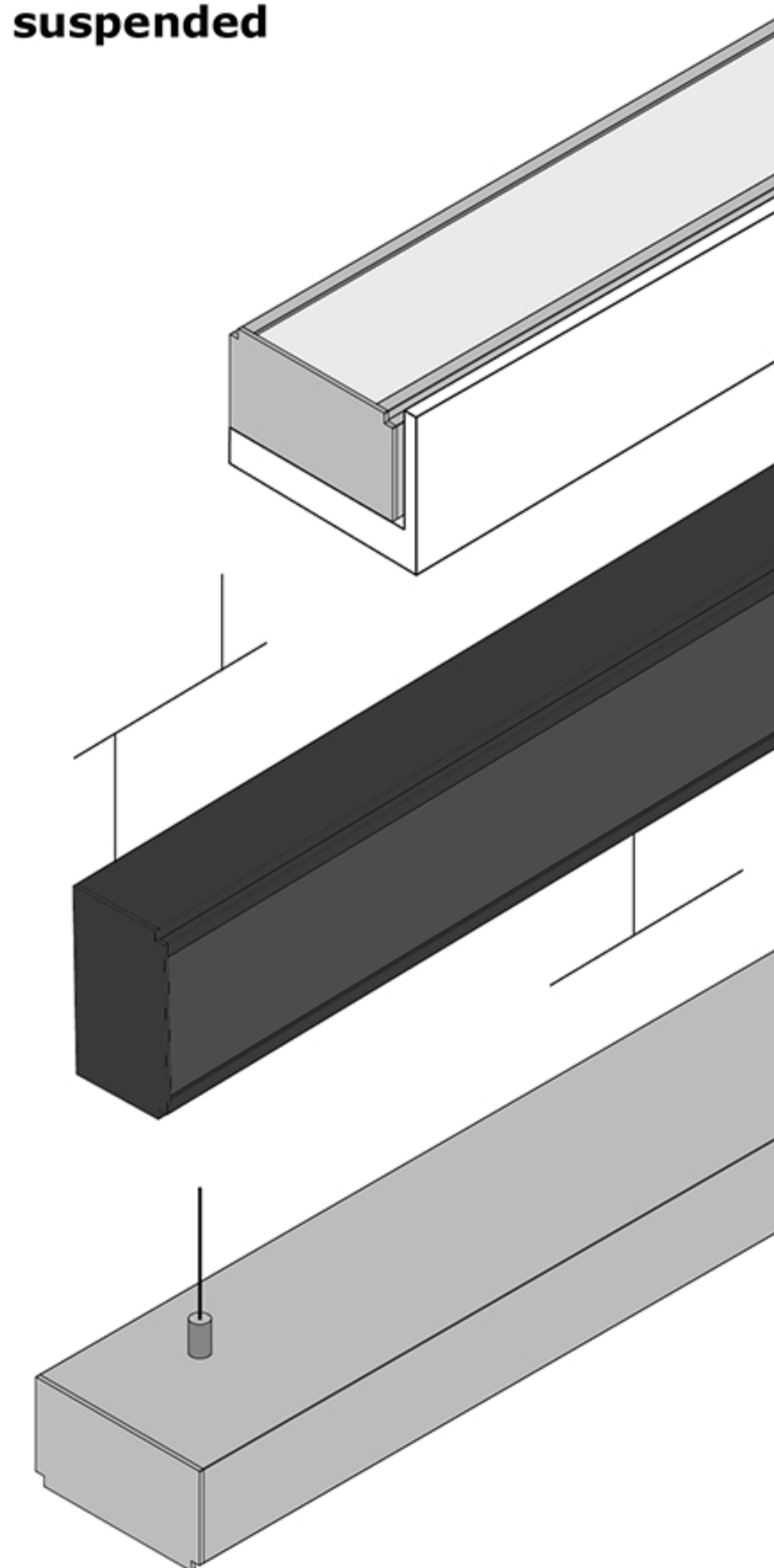
### Multi positioning



### Custom lengths and finishes



### Recessed, surface mounted or suspended



### Corners and angles

