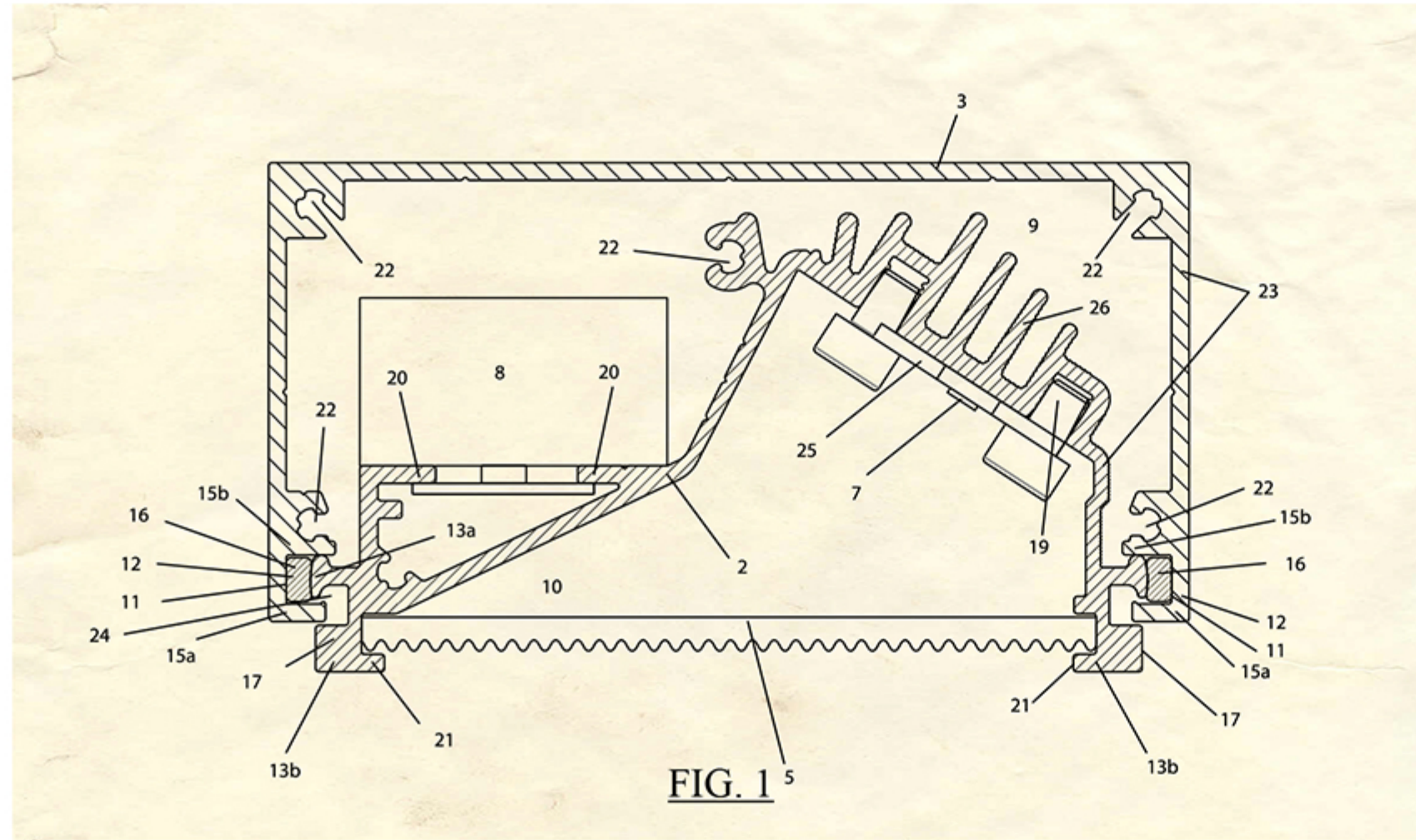
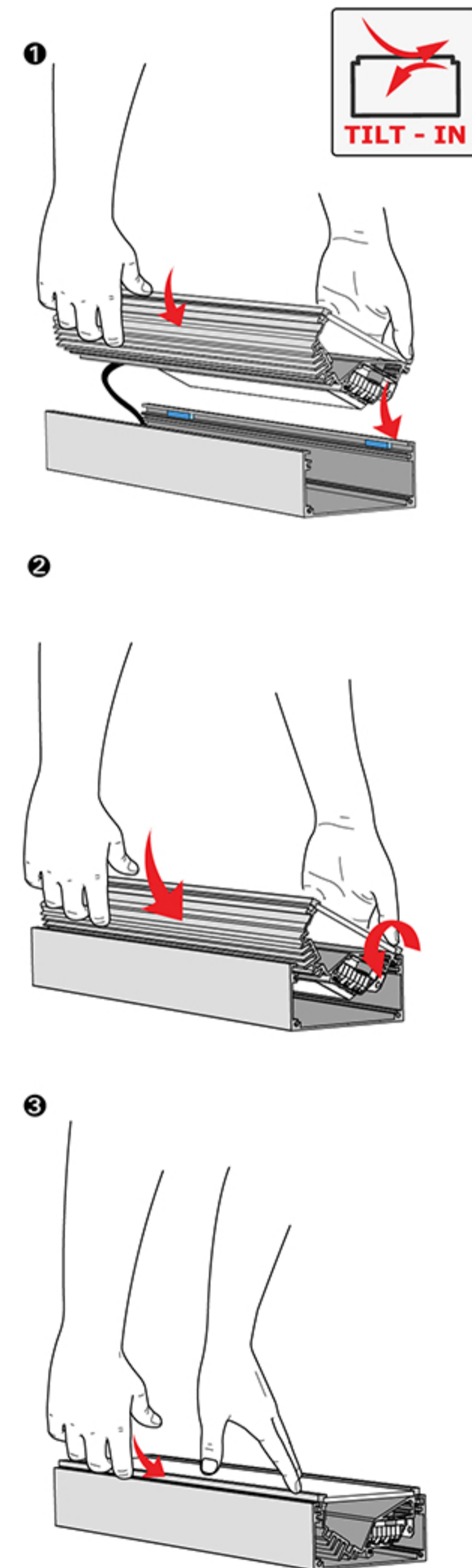


LIGHTperMETER's concept & technologies

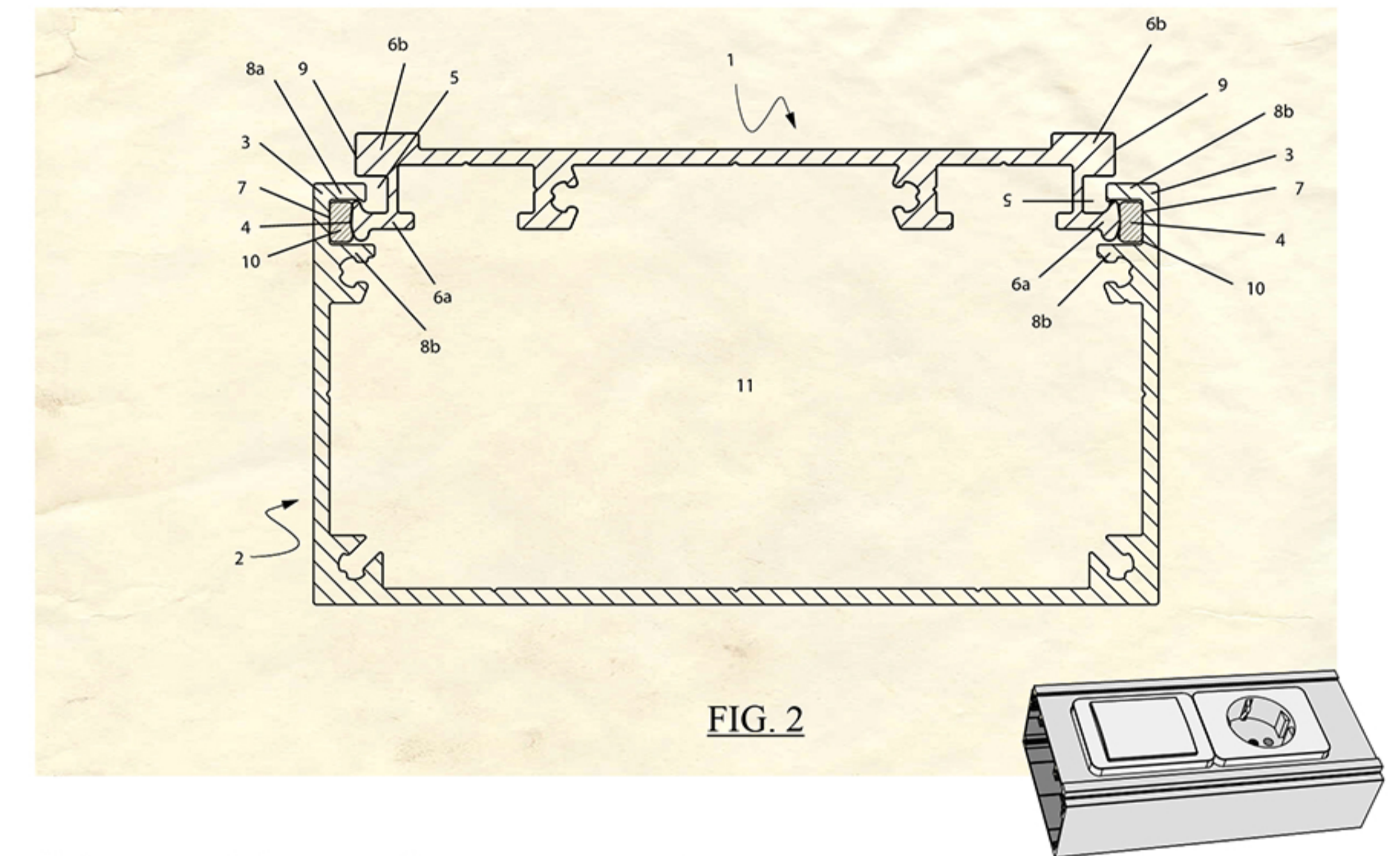
PATENTS



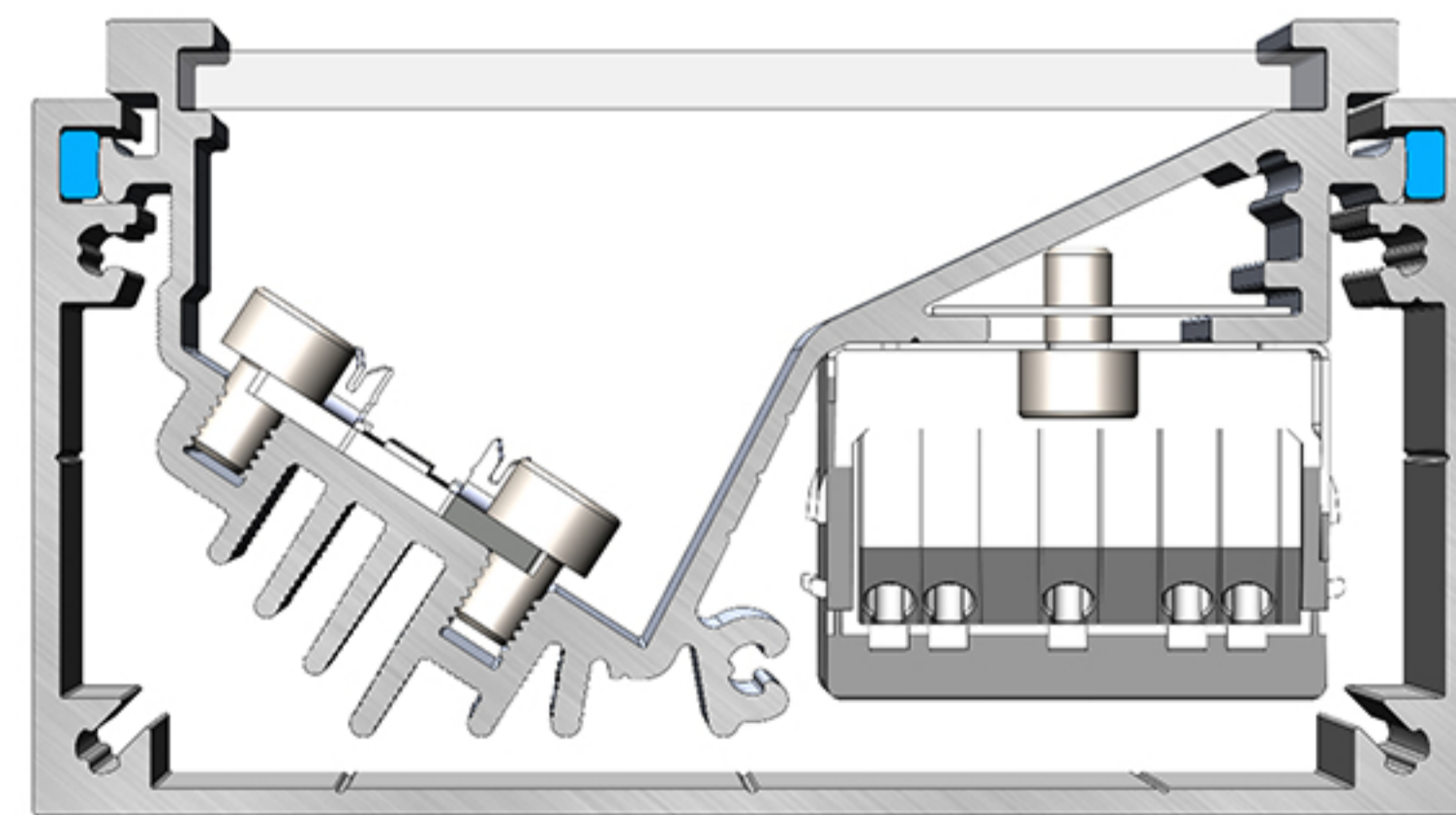
Tool-less tilt-in assembly



Cable management



All-in-one



Advanced thermal management

