

LIGHTperMETER's concept & technologies

MADE-TO-MEASURE

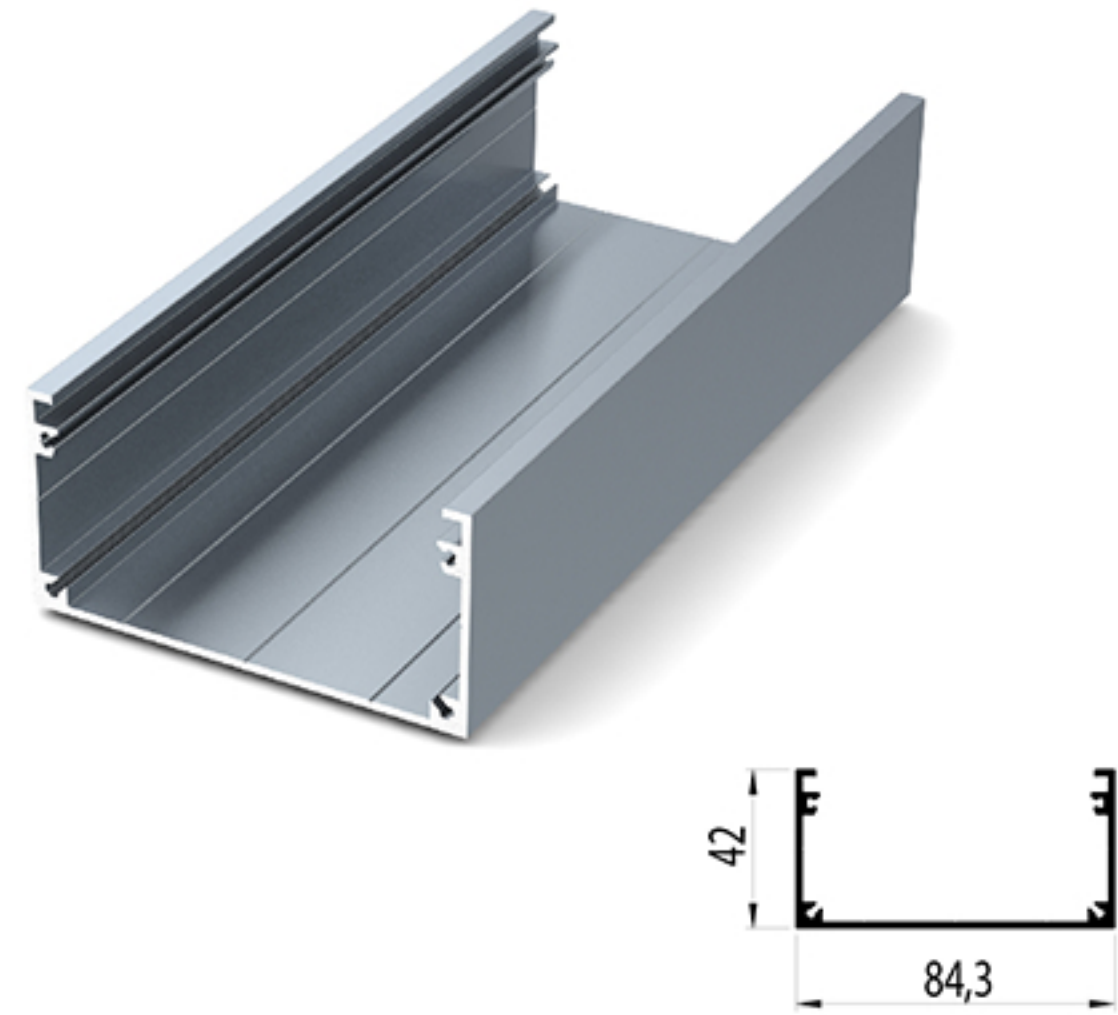
LIGHTperMETER luminaires offer a wide variety of modules which enable long run lengths to be simple, easy to install and highly cost effective. All profiles are sawn - free of charge - at the required length.

MADE - TO - MEASURE
AT NO EXTRA COST

LICHT NACH MASS
OHNE EXTRAKOSTEN

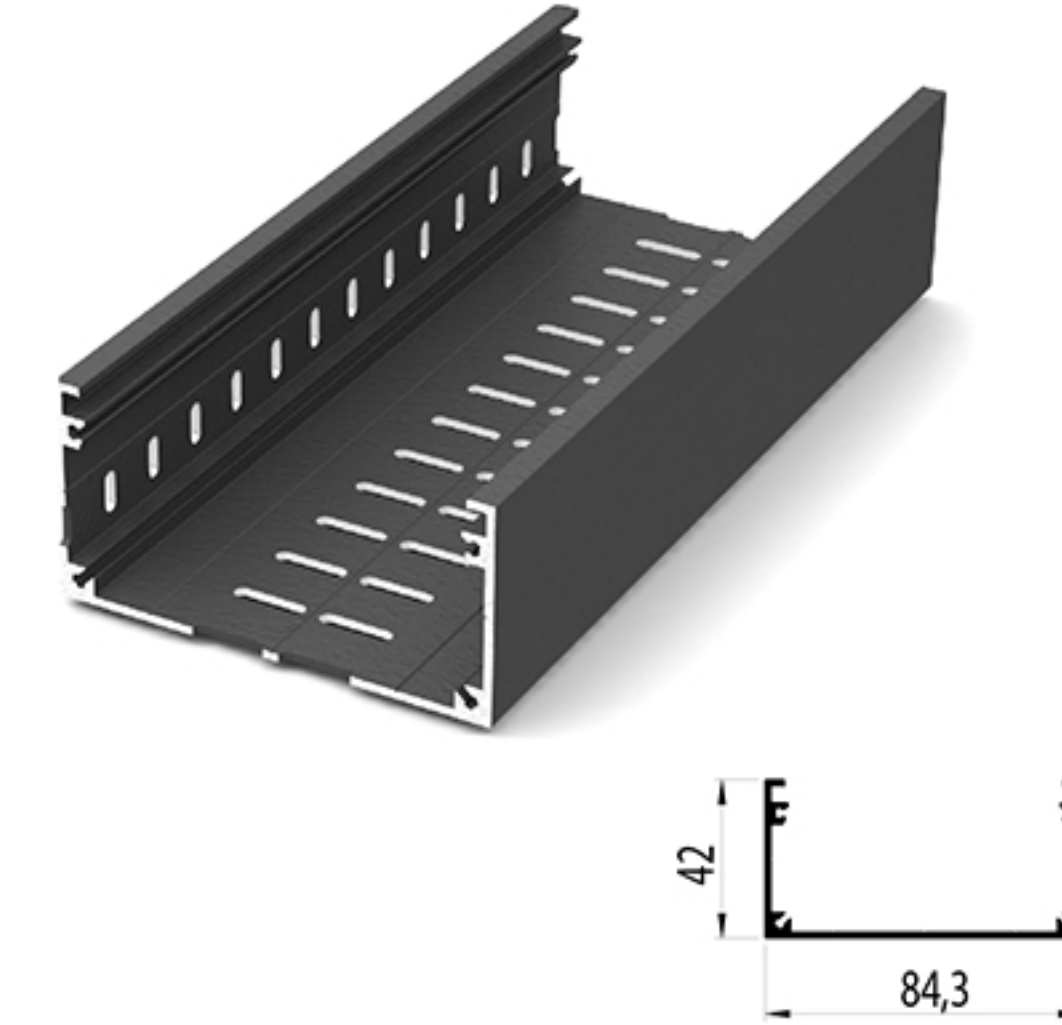
SUR MESURE SANS
SUPPLEMENT DE PRIX

MAATWERK ZONDER
MEERPRIJS



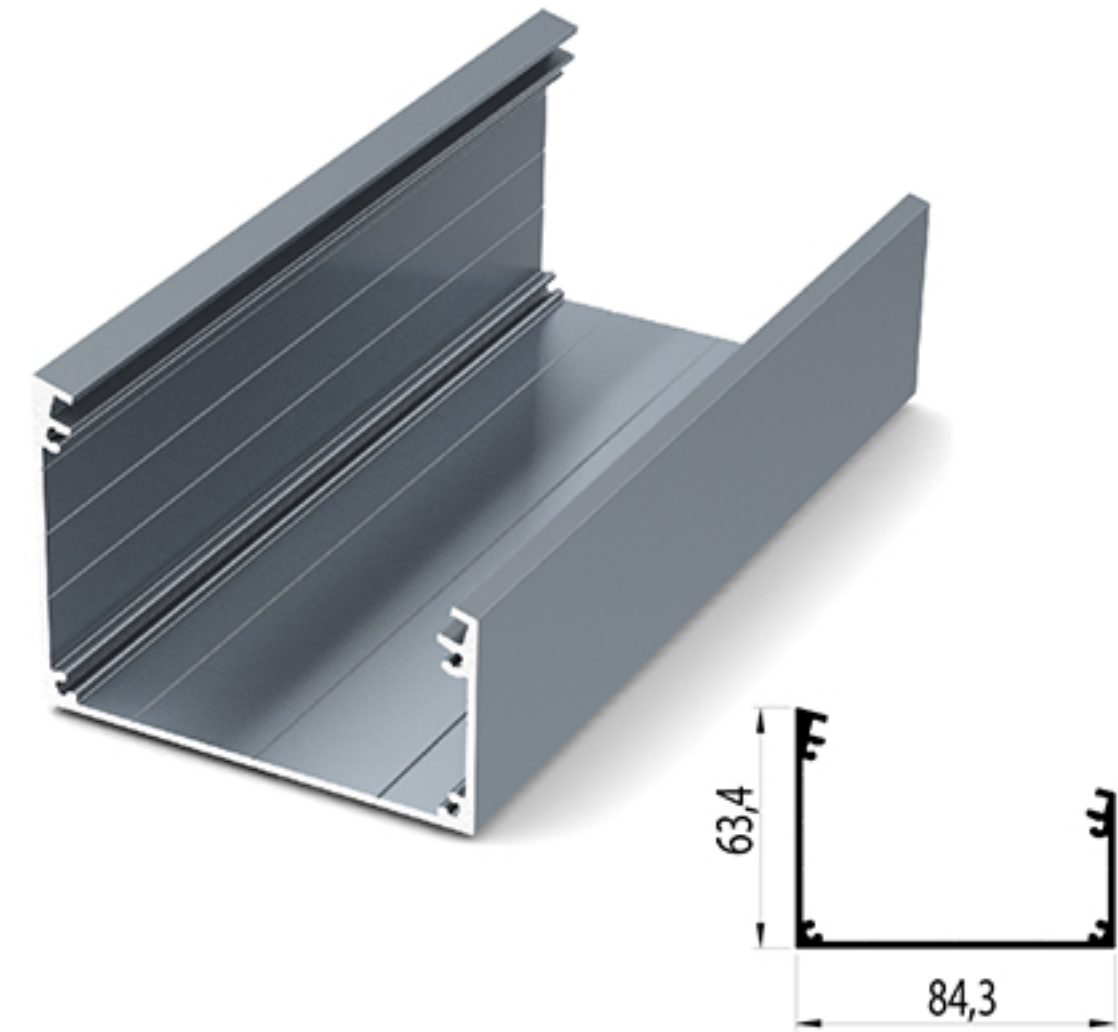
U Base One

Base profile, natural anodized.



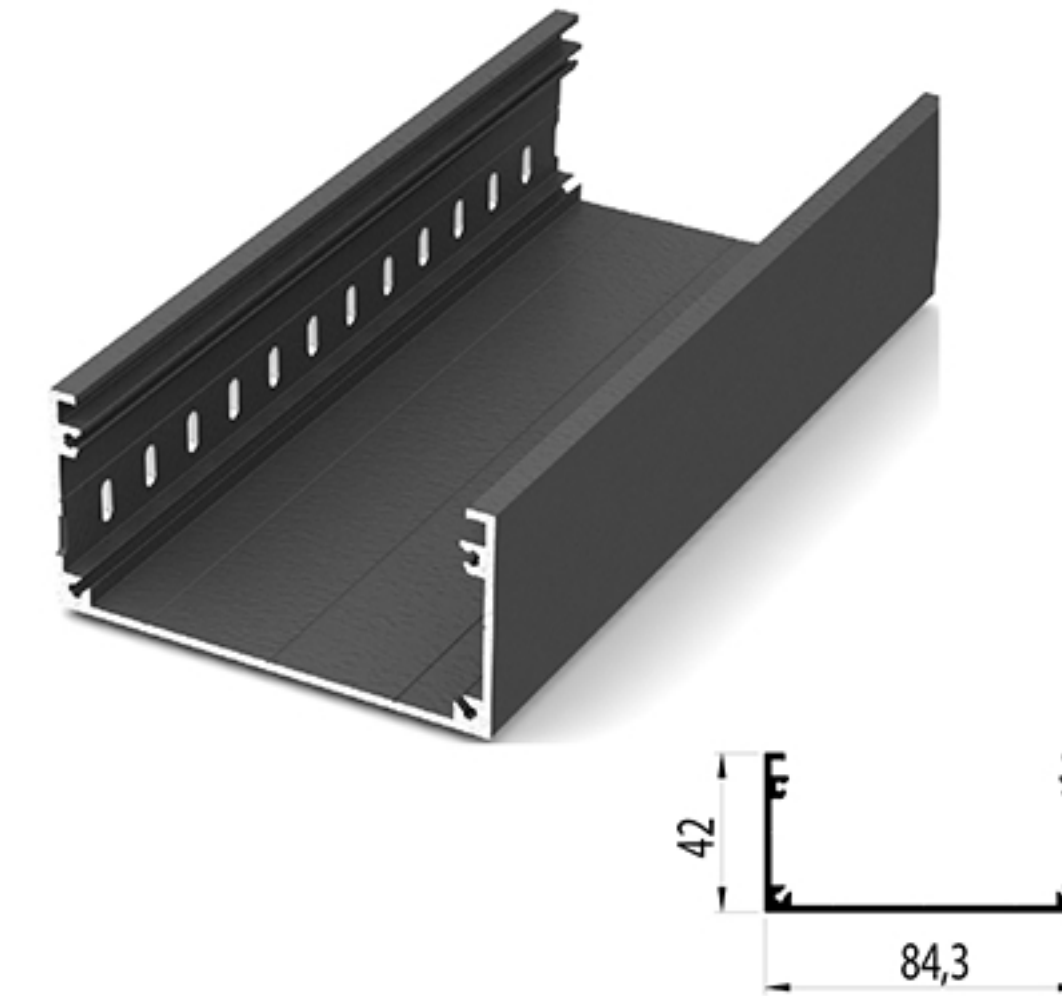
Mounting Track I

Matte black profile with vents on bottom and one side.



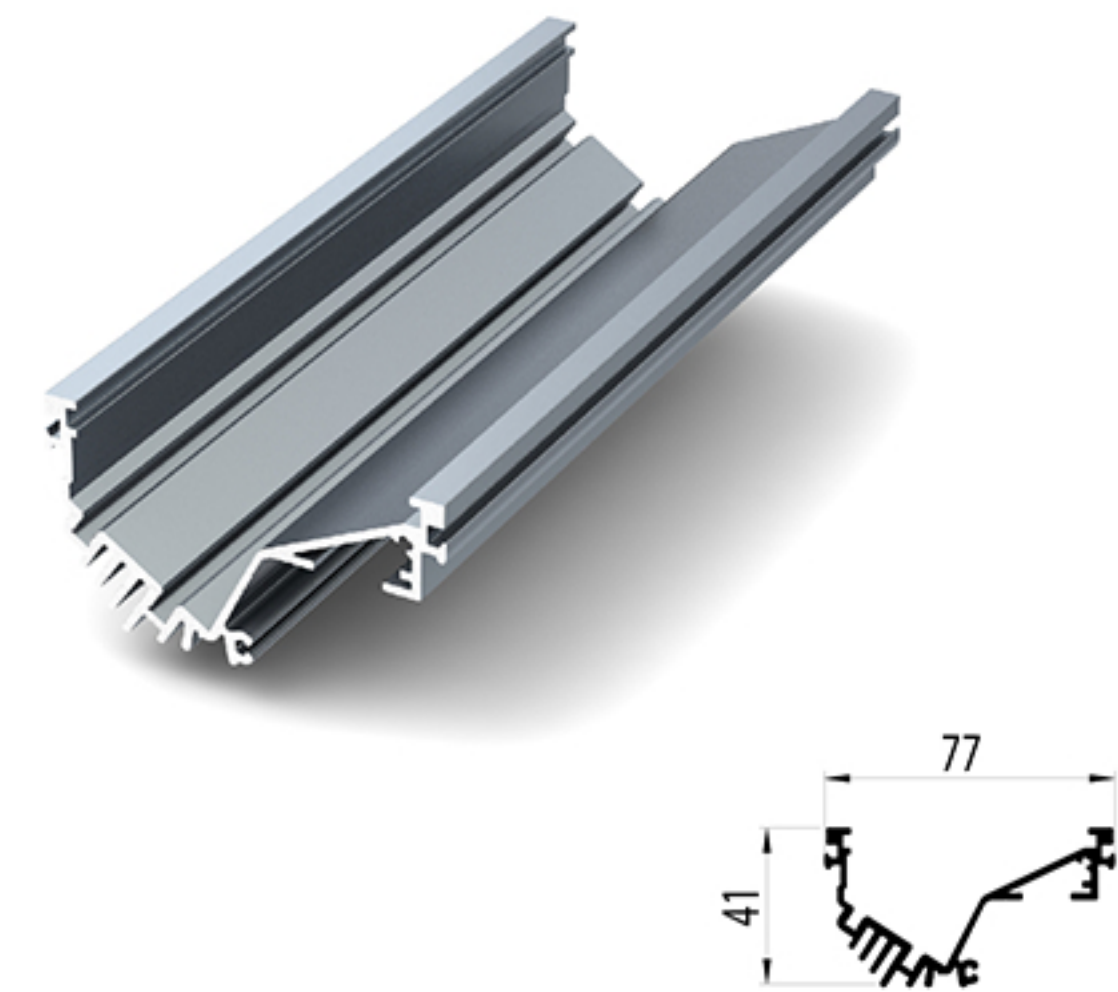
U Base Two

15° base profile, natural anodized.



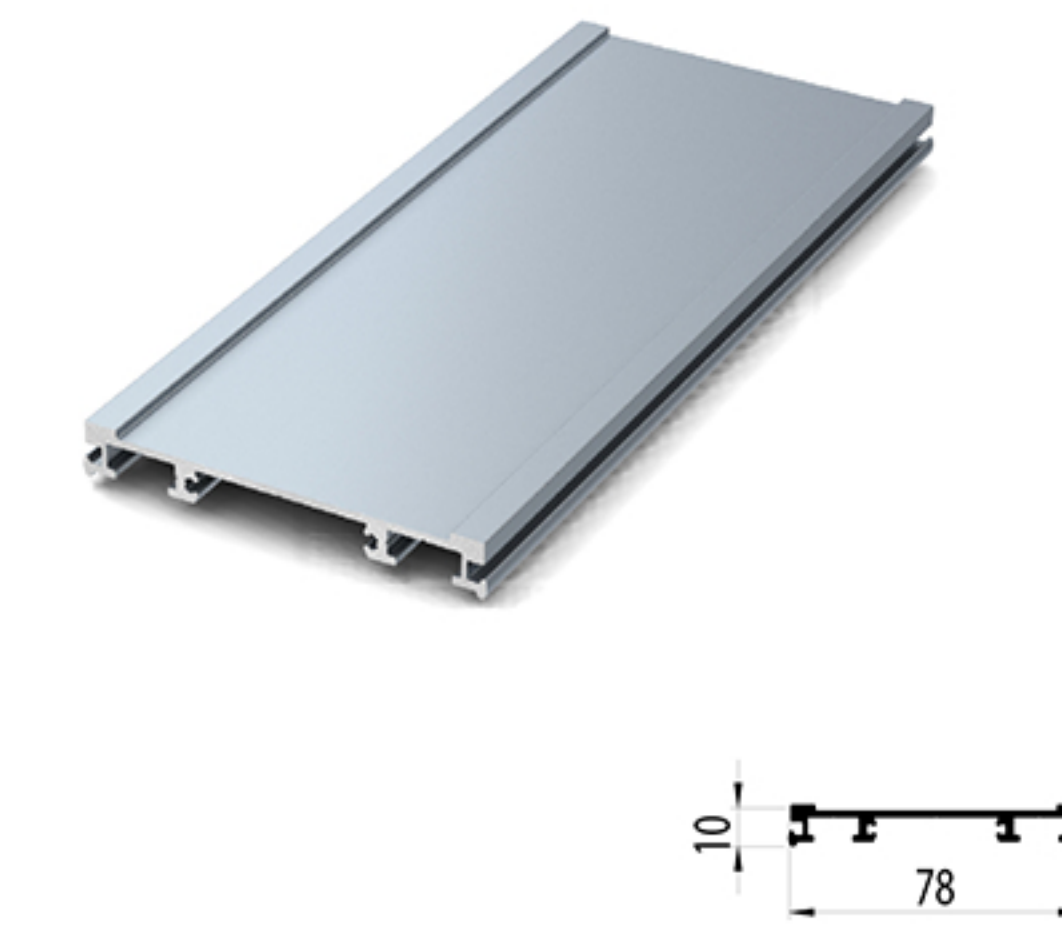
Mounting Track II

Matte black profile with vents on one side.



LED Reflector

Concealed LEDlight profile, natural or black anodized with integrated cooling and M4 channels for Zhaga LEDengines.



Top Cover

Natural anodized.